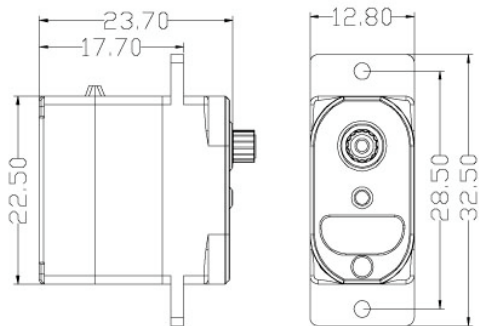


SERVO RS-04 (ES-05) SPECIFICATIONS



| | | |
|--------------------|------|--|
| Operating Voltage: | | 4.8~6.0V |
| Stall Torque: | 4.8V | $\cong 1.0 \text{ kg.cm}(15.4 \text{ oz/in.})$ |
| | 6.0V | $\cong 1.2 \text{ kg.cm}(18.2 \text{ oz/in.})$ |
| Operating Speed: | 4.8V | 0.17 sec/60° at no load |
| | 6.0V | 0.15 sec/60° at no load |
| Grade: | | |
| Weight: | | 8.0g(0.28 oz) |